



**LIFE LINE TO YOUR
FLOW CONTROL SOLUTIONS**

SCO)RPIO[®]
VALVES & CONTROLS

AN ISO 9001 : 2015 CERTIFIED COMPANY

Company Overview

Scorpio Valves & Controls widely known as Scorpio and the leading manufacturer of Automation & Industrial Valves. Used in industries like Chemical, Petroleum, Refineries, Fertilizers, Nuclear, Atomic, Paper, Sugar, Drugs and Pharma, Steel, Cement and other allied industries.

The company Scorpio Valves & Controls was founded in 2013, the initial activity is dedicated to a small workshop, and now we are developing into a modern factory with its own technical department, with design functions, research, development, HSE orientated and high technology production equipment, Quality Assurance / Quality Control department and pattern workshop. The company has its main production center placed in Dholka, Dist. Ahmedabad (India) with a surface area of 20,400 m2.

Area	20,400 sq.mtrs
Capacity	36,000 Valves P. A.
Employees	Near 200 Peoples
NORSOK Approved	Immense flexibility and speed

The products manufactured are: **Automation Valves like Safety Relief Valves, Pressure Reducing Valves, Pressure Reducing Station and Automatic Control Valves & Industrial valves like Gate, Globe, Check, Ball, Butterfly valves** from India. Our Captive Steel Foundry dedicated for Valve & Pump Castings gives us an edge for this & helps us to meet such requirements where we can eliminate project down time.

Metallurgy includes Stainless Steel, Alloy Steel, Duplex & Super Duplex Stainless Steel & Exotic Alloy Grades like Hastelloy B & C, Inconel and Nickel Aluminium Bronze etc. We are offering & delivery of Special Material/Application Valves starting from as low as 10 weeks & that too at very Competitive Prices. We would like to further develop our relations in a much better way, in terms of technical know-how, delivery schedules and prices.

Apart from having obtained **ISO 9001-2015**, Scorpio Valves range of products conform to International Standards such as **ASTM, ANSI, API, DIN, BS, NACE, MSS, Fire Safe API 607/6FA, CE/PE Certified & IBR Approved**. The company has adopted a Total Quality Management approach to its various processes.



Exclusive range of the latest machinery



International testing standards



Competitive pricing



Wide distribution network



Superior packaging

Our In-house Laboratory & Testing Facility is supported with Spectrometer, UTM, Impact Testing, Pyrometer, Hardness Testing, Micro Structure Analyzes, Ultrasonic, Magnetic Particle Inspection, Dye Penetration, Radiography, PMI and Pressure Testing facilities. Scorpio has maintained focus on 'Customer First' philosophy by investing in delivering quality products, on-time deliveries & value to customers all over the world. We are confident that our unique products & services shall benefit your organization & you will consider us as your preferred vendor. **Our Product ranges from DN 15-DN 2000 and pressure rating upto 2500LB, temperature range 850°C ~(-196°C).** Based on our engineering strengths, we can also manufacture valves as per customer requirements and specifications with faster deliveries as we have our dedicated foundry.

Goal : Our aim is to be a world-class valve manufacturer.

Why Choose Us?



Our Group Company is specialized manufacturer of VALVE & PUMP components and supplied to various MNCs worldwide.

Our foundry is approved by ISO 9001:2015, PED 97/23/EC, AD 2000 MERKBLATT W0/W5, IBR WELL-KNOWN, NTPC, BHEL, Nuclear Power Corporation of India Limited (NPCIL) etc.

Our remarkable growth and success in the industry is the result of providing superior quality products to our clients in the domestic times. We have changed and adapted ourselves according to the changing times and to suit the needs and demands of our clients, which is one of the main reasons for us to be successful in this business. Other factors which have helped us to have an edge over our competitors are : To help our customers succeed by providing high-quality valves within customer specifications, emphasizing precision and material maximization at a competitive price while exercising the highest level of honesty and integrity.

VISION

Sustainable Success driven by Excellence in Valve Engineering

MISSION

Scorpio Valves will create sustainable success through technical superiority and brand development with a clear focus on safety, continuous improvement and operational effectiveness while exceeding commitments to customers in delivery, reliability and support.

STRATEGIC DIRECTION

To deliver our Vision and Mission we must ensure that our customers value the difference in technical superiority and brand recognition of Scorpio Valves products and service versus competition through.

INDUSTRY WE SERVE...

- Natural Gas Process
- Nuclear, Oil and Petroleum Refining
- Petrochemical Processing
- Chemical
- Ship Building
- Power Plants
- Mining
- Desalination
- Naval marine



Product Range

- Process Valves in Duplex and Super Duplex Alloy 20, Titanium, Hastelloy, Inconel, Incoloy, Monel 904L, 254SMO, 6Moly, AL-6XN Uranus B6 and Zirconium
- Oxygen service, Chlorine service, Hydrofluoric Acid Service
- Cast and Forged Alloy Valves in Nickel, Copper & Austenitic steels
- Gate, Globe, Check, Ball, Butterfly and Special - Design Valves to Norsok, GOST, JIS and API standards

Facilities

Scorpio Valves are manufactured in a state-of-the-art manufacturing unit in India, staffed with experienced engineers and technicians. We have exacting design, manufacturing and testing processes. This makes it possible for even a standard three-piece valve to be used up to 20 micron vacuum!

Service & Support

Our highly experienced field service teams are known for their quick response and their commitment to save clients' downtime by getting plants back into action as soon as possible. Our core service team is supported directly by our own operations in Europe and North America and through our distributors worldwide.

Customer Base

Significant supplies to some of the biggest projects and leading names in Pharma, Bio-Tech, Pulp and Paper, Oil, Chemical, Nuclear and other high tech industries in India, South East Asia, USA and UAE. Now, Scorpio Valves will continue to cater to these customers with an enhanced range of high quality valves.



Our Quality Care

The Quality Management System of Scorpio Valves & Controls has been certified to comply with ISO 9001:2015. Further, the quality management system has been audited and approved by major customers from around the world.

The quality assurance and quality control capabilities are benchmarked to global standards:

- State-of-the-art Gauge Calibration Centre
- Metallurgical Lab
- In-house Non-destructive Test Facilities & ASNT certified personnel
- Pressure Test Facilities

The quality of the raw materials is ensured by a stringent vendor qualification system. NDT methods are employed to qualify samples and pilot lots, and surveillance audits are carried out to ensure compliance. 100% of the valves manufactured at Scorpio's plant are pressure-tested.

The acceptance criteria adopted are more stringent than the requirements specified in international standards. When control is critical, the choice is clear - **Scorpio Valves & Controls**.



Quality

Scorpio Valves & Controls is committed to total customer satisfaction and the products meet customer specifications as well as all relevant codes and standards.

Each stage of manufacture is controlled by a meticulously implemented Quality Assurance Program.



Custom Designs

Scorpio Valves provides customised solutions by designing valves to suit your requirements using the latest CAD design and drafting tools.

Valve Automation

We do complete engineering, procurement and supply of any type of automated quarter-turn valves with actuators and accessories such as solenoids, proximity switches, positioners, etc. Multi-position actuation, controlled-speed actuation, breather blocks and other special requirements such as actuators with stainless steel dome cover for extremely corrosive environments are also available.

Applications

Scorpio Valves is one of the few companies capable of supplying ball valves for ultra clean applications such as those in the food, pharma, bio, desal, nuclear and other industries.

Machining

CNC Turning centers for machining of our components
CNC Vertical turning center for machining of larger

Testing

Test stand for three piece and smaller size valves
Non compression test stand for Flanged valves.
High pressure test pump for high pressure valves.
Fire-Safe testing facility for Fire-safe testing of valves.
PMI testing equipment for Positive Material Identification.



Valve Type	Trunnion Mounted Ball Valves	Floating Ball Valves	Dual Plate Check Valves	Gate Valves	Globe Valves	Check Valves	Spring Loaded Safety Relief Valve	Butterfly Valves	Steam Pressure Reducing Valve	Automatic Control Valve
Size	2" upto 40" (DN50 upto DN1000)	½" upto 12" (DN15 upto DN300)	2" upto 72" (DN50 upto DN1800)	2" upto 72" (DN50 upto DN1800)	½" upto 24" (DN15 upto DN600)	½" upto 56" (DN15 upto DN1400)	NPS ½" x 1 to 10" x 12" (DN15 upto DN300)	2" upto 80" (DN50 upto DN2000)	¾" upto 10" (DN20 upto DN250)	½" upto 12" (DN15 upto DN300)
Pressure Rating	ASME 150# TO 2500#, API 3000 PSI TO 20000 PSI	ASME 150# TO 2500#, API 3000 PSI TO 20000 PSI	ASME 150# TO 2500#, API 3000 PSI TO 20000 PSI	ASME 150# TO 2500#, API 3000 PSI TO 20000 PSI	ASME 150# TO 2500#, API 3000 PSI TO 20000 PSI	ASME 150# TO 2500#, API 3000 PSI TO 20000 PSI	ASME 150# TO 2500#, Sizes D through T	ASME 150# TO 900#	ASME 150# TO 300#	ASME 150# TO 300#
Materials	Stainless Steel, Duplex & Super Duplex Stainless Steel, Hastelloy, Inconel/Incoloy, Monel, Nickel Aluminium Bronze & Corrosion Resistant Alloy (CRA) Overlay on Carbon Steel, Low Temperature Carbon Steel, NACE MAT. Grade to NACE MR 0175/NACE MR 0103									
Design Standard	API 6D, API 608, MESC SPE 77 / 130	API 6D, API 608, MESC SPE 77 / 110, BS EN ISO 17292	API 6D, API 594, MESC SPE 77 / 133	API 602, API 600, MESC SPE 77 / 101, MESC SPE 77 / 102, ASME B16.34	API 602, MESC SPE 77 / 103, BS 1873 DIN 3356	API 602, API 6D, MESC SPE 77 / 132, BS 1868, DIN 3356	API 526 ASME VIII ASME I - Boiler TDR / AD2	API 599, API 6D, API 609 API MESC SPE 77 / 134, BS 5353	API 602, MESC SPE 77 / 103, BS 1873 DIN 3356	API 602, MESC SPE 77 / 103, BS 1873 DIN 3356
Pressure Temperature Rating	ANSI B 16.34 / API 6D / API 6A	ANSI B 16.34 / ISO 17292 API 6A	ANSI B 16.34 / API 6D / API 594 / API 6A	ANSI B 16.34 / API 6D / API 600 / API 6A	ANSI B 16.34 / BS 1873 / API 6A	ANSI B 16.34 / API 6D / BS 1868 / API 6A	ANSI B 16.34 / API 598 / API 527 Pressure 5 PSI to 6500 PSI (Upto 690 Barg Optional) for Pilot Operated Safety Valve	ANSI B 16.34 / API 609	ANSI B 16.34 / BS 1873 / API 6A	ANSI B 16.34 / BS 1873 / API 6A
Test (Inspection) Standard	API 598, API 6D, MESC 77 / 132, ISO 5208 / API 6A	API 598, API 6D, MESC 77 / 132, ISO 5208 / API 6A	API 598, API 6D, ISO 5208 / API 6A	API 598, API 6D, MESC 77 / 132, ISO 5208 / API 6A	API 598, API 6D, MESC 77 / 132, ISO 5208 / API 6A	API 598, API 6D, MESC 77 / 132, ISO 5208 / API 6A	API 598, API 6D, MESC 77 / 132, ISO 5208 / API 6A	API 598, API 6D, MESC 77 / 132, ISO 5208 / API 6A	API 598, API 6D, MESC 77 / 132, ISO 5208 / API 6A	API 598, API 6D, MESC 77 / 132, ISO 5208 / API 6A
Construction Details	Single / Two / Three Piece / Design / Side Entry / Trunnion / Block & Bleed / Soft and Metal Seated	Single / Two / Three Piece / Design / Side Entry / Soft and Metal Seated	Dual Plate / Soft and Metal Seated	Bolted Bonnet / Pressure Seal Bonnet / OS & Y Type Rising Stem	Bolted Bonnet / Pressure Seal Bonnet / OS & Y Type Rising Stem	Bolted Cover / Pressure Seal Bonnet / Lift Check Type / Swing Check / Piston Check / Non-Slam Check	Spring Loaded Safety Relief Valve / Full Lift Pop Type Design / Open Bonnet with Cap & Lever / Close Bonnet with Lever / Close Bonnet with Cap / Close Bonnet with Packed Lever / Metal Seat / Stellited Nozzle & Discs / Soft Seat with PTFE & Viton / Bellows Seal Safety Relief Valve	Center Disc Double / Triple Offset / Soft and Metal Seated	Bolted Bonnet	Bolted Bonnet
End Connection	Screwed, Socket Weld, Flanged, Hub End, Butt-Weld, Confirming to ASME / DIN Connections									

Note : Valves can be supplied with Actuator, Pad Lock and other accessories like limit switch, positioner and solenoid valve or as required. Stem extension and other features are also available. Valves for cryogenic application are also available.



Series	2000	3000	3100	3700	3300	3400
Size Range	2" – 24" (50mm – 600mm)	2" – 20" (50mm – 500mm)	2" – 20" (50mm – 500mm)	2" – 20" (50mm – 500mm)	32" – 60" (800mm – 1500mm)	24" – 60" (600mm – 1500mm)
Body Style	Wafer, Lug	Wafer, Lug	Lug	Lug	Full Flanged	Full Flanged
Temp. Range	0°F to 392°F (-18°C to 200°C)	-20°F to 400°F (-29°C to 204°C)	-20°F to 250°F (-29°C to 121°C)	0°F to 212°F (-18°C to 100°C)	20°F to 250°F (-29°C to 121°C)	-20°F to 250°F (-29°C to 121°C)
Pressure Ratings	Bidirectional Bubble-tight Shut-Off to 150 psi (10.3 Bar)	Bidirectional Bubble-tight Shut-Off to 175 psi (12 Bar)	Bidirectional Bubble-tight Shut-Off 250 psi (17.2 Bar)	Bidirectional Bubble-tight Shut-Off 285 psi (20 Bar)	Bidirectional Bubble-tight Shut-Off 75 psi (5.2 Bar)	Bidirectional Bubble-tight Shut-Off 232 psi (16 Bar)
	Body (CWP) 250 psi (17.2 Bar)	Body (CWP) 250 psi (17.2 Bar)	Body (CWP) 250 psi (17.2 Bar)	Body (CWP) 285 psi (20 Bar)	Body (CWP) 250 psi (17.2 Bar)	Body (CWP) 250 psi (17.2 Bar)
Body Materials	Ductile Iron, Carbon Steel, Stainless Steel	Cast Iron, Ductile Iron, Carbon Steel, Aluminum	Cast Iron, Ductile Iron	Ductile Iron, Carbon Steel, Nickel Aluminum Bronze	Cast Iron, Ductile Iron, Hastelloy	Ductile Iron
Disc Materials	Stainless Steel, PTFE/SS, UHMWPE/SS, UHMWPE/DI, Hastelloy, Titanium	Nylon 11 Coated Ductile Iron, Aluminum Bronze, Stainless Steel, Hastelloy, Halar Coated Ductile Iron	Nylon 11 Coated Ductile Iron, Aluminum Bronze, Stainless Steel	Stainless Steel, Nickel Aluminum Bronze	Duplex Stainless Steel, Super Austenitic Stainless Steel, Hastelloy	Nylon 11 Coated Ductile Iron, 316 Stainless Steel
Stem Materials		Stainless Steel, Monel K500	Stainless Steel	Stainless Steel, Monel K500	Stainless Steel	17-4 PH Stainless Steel
Seat Materials	PTFE, Conductive PTFE, UHMWPE	BUNA-N, EPDM, FKM*, Polyurethane	Bonded BUNA-N, Bonded EPDM	Bonded BUNA-N	Bonded BUNA-N, Bonded EPDM	Bonded BUNA-N, Bonded EPDM
Applications	Highly Corrosive, Toxic Media	Potable Water, Wastewater, Seawater, HVAC	High Pressure, HVAC, Dead-End service	High Pressure Industrial and Marine Dead-End service, On-Shore and Off-Shore Fire Protection	FGD, Mining, Seawater	High Pressure, HVAC, Dead-End service

Note : Pressure/Temperature ratings and material availability depend on Valve Size and Series.



Series	61 Series	27 Series	48 Series
Design	Three / Four Way	Two Way	Standard Two Way
Size Range	20mm to 100mm (3/4" to 4")	8mm to 150mm (1/4" to 6")	15mm to 100mm (1/2" to 4")
Pressure Rating	Cl.150 Rating (ANSI/ASME)	Cl.2500 Rating (ANSI/ASME)	Cl.150 Rating
End Connections	Screwed Socket Welded Butt Welded Flanged Tri-clamp etc.	Screwed Socket Welded Butt Welded Flanged	BWO ETO Tri Clamp etc.
MOC-Body and Ends	Carbon Steel Stainless Steel	Carbon Steel (Bar Machined) Stainless Steel (Bar Machined)	Stainless Steel Monel Hastelloy Alloy 20 etc.
MOC - Seats	PTFE TFM	Delrin PEEK	PTFE TFM PEEK
Applications	Valves suitable for delivering and mixing applications	High pressure valves	High Purity
Applicable Standards	ASME B16.34 EN 12266	ASME B16.34 ASME B16.10 EN 12266 API 607 ISO 10497	ASME B16.34 EN 12266

PED Approval : PED 97/23/EC for all products

Please refer to the Scorpio order code system at the end of this catalogue for ordering information

AUTOMATION



Scorpio Automation offers a complete range of ball valves with a choice of pneumatic or electric actuators. Accessories such as air filter regulators, solenoid valves, limit switches, positioners etc. also can be included to complete the automation package, assembled and tested in-house by us. We have strategic arrangements with the leading manufacturers of these accessories to offer optimum solutions.

ANSI-Series



Series	47 Series	41 Series	31 Series	32 Series
Design	Standard Two Way	Standard Two Way	Regular Bore Standard Two Way	Regular Bore Standard Two Way
Size Range	8mm to 150mm (1/4" to 6")	8mm to 65mm (1/4" to 2.1/2")	15mm to 250mm	15mm to 250mm
Pressure Rating	Cl.800 Rating upto 65 mm (2.1/2")	Cl.800 Rating	Cl.150 (ANSI/ASME)	Cl.300 (ANSI/ASME)
End Connections	Screwed Socket Welded Butt Welded Flanged Tri-clamp etc.	Screwed Socket Welded Butt Welded Flanged Tri-clamp etc.	Flanged	Flanged
MOC-Body and Ends	Carbon Steel Stainless Steel Duplex Stainless Steel Monel Hastelloy Alloy 20 etc.	Carbon Steel Stainless Steel Duplex Stainless Steel Monel Hastelloy Alloy 20 etc.	Carbon Steel Stainless Steel Duplex Stainless Steel Monel Hastelloy Alloy 20 etc.	Carbon Steel Stainless Steel Duplex Stainless Steel Monel Hastelloy Alloy 20 etc.
MOC - Seats	PTFE TFM Glass filled PTEE Carbon filled PTEE PEEK Delrin	PTFE TFM Glass filled PTEE Carbon filled PTEE PEEK Delrin	PTFE TFM Glass filled PTEE Carbon filled PTEE PEEK	PTFE TFM Glass filled PTEE Carbon filled PTEE PEEK
Applications	Standard valve suitable for variety of standard and special applications	Standard valve suitable for variety of standard and special applications	Standard valve suitable for variety of standard and special applications	Standard valve suitable for variety of standard and special applications
Applicable Standards	EN 17292 EN 12266-1 API 607 ISO 10497	EN 17292 EN 12266-1	EN 17292 ASME B 16.10 EN 12266-1 API 607 ISO 10497	EN 17292 ASME B 16.10 EN 12266-1 API 607 ISO 10497

PED Approval : PED 97/23/EC for all products
Please refer to the Scorpio order code system at the end of this catalogue for ordering information

DIN-Series



Series	73 Series	74 Series	90 Series
Design	Full Bore Standard Two Way	Full Bore Standard Two Way	Full Bore Standard Two Way
Size Range	15mm to 300mm	15mm to 300mm	15mm to 150mm
Pressure Rating	Cl.150 (ANSI/ASME)	Cl.300 (ANSI/ASME)	PN 16 (DIN Standard) PN 40 upto 50mm
End Connections	Flanged	Flanged	Flanged
MOC-Body and Ends	Carbon Steel Stainless Steel Duplex Stainless Steel Monel Hastelloy Alloy 20 etc.	Carbon Steel Stainless Steel Duplex Stainless Steel Monel Hastelloy Alloy 20 etc.	Carbon Steel Stainless Steel Duplex Stainless Steel Monel Hastelloy Alloy 20 etc.
MOC - Seats	PTFE TFM Glass filled PTEE Carbon filled PTEE PEEK Delrin	PTFE TFM Glass filled PTEE Carbon filled PTEE PEEK Delrin	TFM
Applications	Standard valve suitable for variety of standard and special applications	Standard valve suitable for variety of standard and special applications	Standard valve suitable for variety of standard and special applications
Applicable Standards	EN 17292 ASME B 16.10 EN 12266 API 607 ISO 10497	EN 17292 ASME B 16.10 EN 12266 API 607 ISO 10497	EN 17292 EN 12266 API 607 ISO 10497

PED Approval : PED 97/23/EC for all products
Please refer to the Scorpio order code system at the end of this catalogue for ordering information

LIFELINE TO YOUR FLOW CONTROL SOLUTIONS

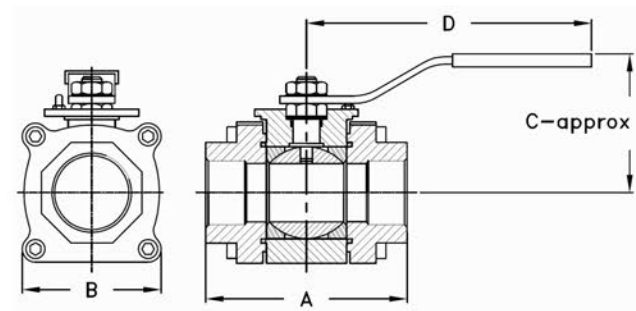
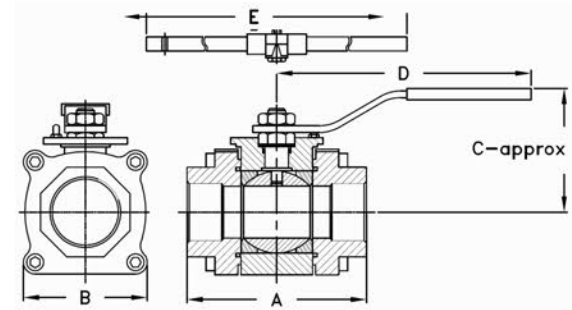
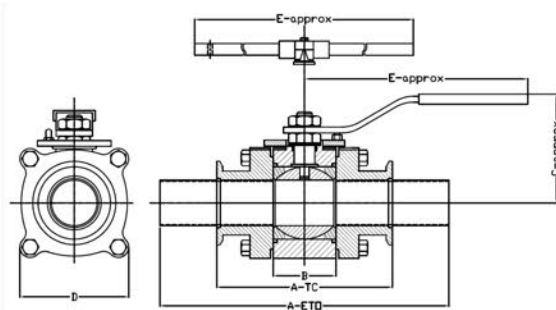
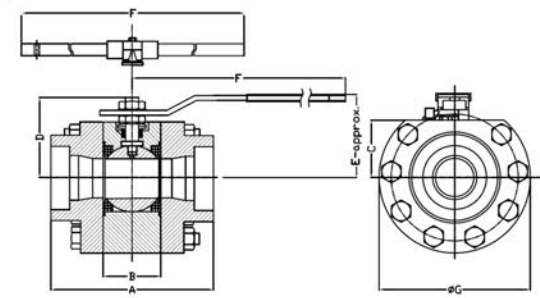
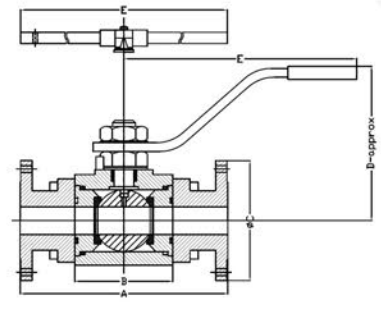
61 SERIES						
Valve Size MM (Inches)	A	B	C	D	E	Weight Kg. (lb) 150
20 MM (3/4")	154	62	98	80	187	2.75 (5.1)
25 MM (1")	167	71.8	108	85.5	187	4.0 (7.3)
32 MM (1-1/4")	174.5	76	108	90	187	5.8 (12.2)
40 MM (1-1/2")	208	91	127	103	236	7.5 (12.2)
50 MM (2")	228.7	107.2	152	139.4	255	13.5 (18.0)
65 MM (2-1/2")	242.9	125	178	150.9	255	21.0 (18.0)
80 MM (3")	283.9	154	191	189	610	36.0 (18.0)
100 MM (4")	324.8	206	229	203	610	60 (18.0)

27 SERIES								
Valve Size MM (Inches)	A	B	C	D	E	F	ØG	Weight Kg. (lb) 150
15 MM (1/2")	70.6	20.6	27	38.1	46	179	70	1.9 (5.1)
20 MM (3/4")	88.6	24.6	30	40.5	48	179	80	2.4 (7.3)
25 MM (1")	93.7	31.8	38.2	50.5	61	192	98	4.5 (12.2)
32 MM (1-1/4")	108	41.3	42.8	61.0	65	192	105	5.4 (12.2)
40 MM (1-1/2")	128	48.4	50	74.0	80	287	130	9.5 (18.0)
50 MM (2")	156	56.4	55	77.8	84	287	145	13.1 (18.0)
80 MM (3")	224	83.3	70	145	185	400	215	38.8 (18.0)
100 MM (4")	268	108.8	90	161	201	610	250	63.7 (18.0)

48 SERIES							
Valve Size MM (Inches)	A-ETO	A-TC	B	C	D	E	Weight Kg. (lb) 150
15 MM (1/2")	137	89	20.6	61.6	31.8	150	0.9 (2.0)
20 MM (3/4")	147	102	24.6	67.9	38.1	150	1.0 (2.1)
25 MM (1")	168	118	35.5	84.8	44.4	187	1.7 (3.8)
40 MM (1-1/2")	186	141	50.0	107.1	57.2	238	3.5 (7.7)
50 MM (2")	223	184	72.7	143.1	84.0	258	9.4 (20.8)
65 MM (2-1/2")	250.4	189.1	80.3	185.1	139.7	401	13.7 (30.3)
80 MM (3")	302	193	96.4	192.5	160.0	401	17.7 (39.1)
100 MM (4")	317.5	236.2	123	210.8	200.0	620	31.3 (69.2)

47 SERIES						
Valve Size MM (Inches)	A	B	C	D	E	Weight Kg. (lb) 150
8 MM (1/4")	66	47	61	150	-	0.6 (1.33)
10 MM (3/8")	66	47	61	150	-	0.6 (1.33)
15 MM (1/2")	71	53	61	150	-	0.6 (1.33)
20 MM (3/4")	71	53	63	150	-	0.8 (1.77)
25 MM (1")	95	63	79	187	-	1.6 (3.54)
32 MM (1-1/4")	108	71	84	187	-	2.5 (5.53)
40 MM (1-1/2")	115	86	97	237	-	3.6 (7.96)
50 MM (2")	128	96	101	287	-	4.5 (9.95)
65 MM (2-1/2")	158	108	115	287	-	9.5 (21.0)
80 MM (3")	169	140	185	-	400	13.7 (30.28)
100 MM (4")	214	177	200	-	600	23.7 (52.4)
150 MM (6")	239	200	211	-	600	30.0 (66.3)

41 SERIES					
Valve Size MM (Inches)	A	B	C	D	Weight Kg. (lb) 150
8 MM (1/4")	66	47	61	150	0.6 (1.33)
10 MM (3/8")	66	47	61	150	0.6 (1.33)
15 MM (1/2")	71	53	61	150	0.6 (1.33)
20 MM (3/4")	71	53	63	150	0.8 (1.77)
25 MM (1")	95	63	79	187	1.3 (2.87)
32 MM (1-1/4")	108	71	84	187	2.1 (4.64)
40 MM (1-1/2")	115	86	97	237	3.0 (6.63)
50 MM (2")	128	96	101	287	4.1 (9.06)
65 MM (2-1/2")	158	108	115	287	8.9 (19.67)



31/32 SERIES									
Valve Size MM (Inches)	A		B		C	D	E	Weight Kg. (lb)	
	150	300	150	300				150	300
15 MM (1/2")	108	140	89	95	38	92	151	1.7 (3.8)	2.4 (5.3)
20 MM (3/4")	117	152	98	117	40.3	94	151	2.3 (5.1)	3.3 (7.3)
25 MM (1")	127	165	108	124	55.6	103.5	170	3.3 (7.3)	4.6 (10.2)
40 MM (1-1/2")	165	190	127	156	73.1	119.2	221	5.5 (12.2)	8.7 (19.3)
50 MM (2")	178	216	152	165	77.8	123.9	221	8.1 (18.0)	10.8 (24.0)

31/32 SERIES									
Valve Size MM (Inches)	A		B		C	D	E	Weight Kg. (lb)	
	150	300	150	300				150	300
80 MM (3")	203	284	191	210	145	185	400	18.0 (40.0)	22.7 (50.4)
100 MM (4")	229	295	229	254	161	201	610	28.2 (62.8)	36.3 (80.6)
150 MM (6")	267	305	279	318	226	285.9	916	41.0 (91.0)	69.0 (153)
200 MM (8")	292	419	343	381	254	313.6	916	82.0 (182)	105 (233)

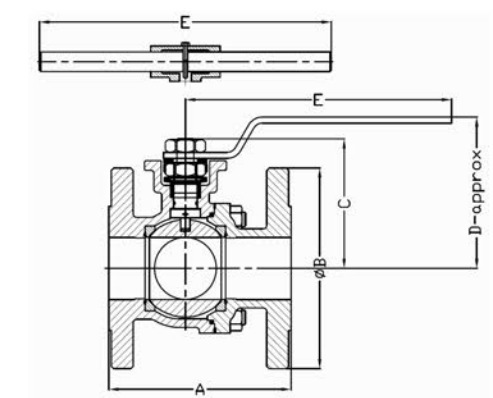
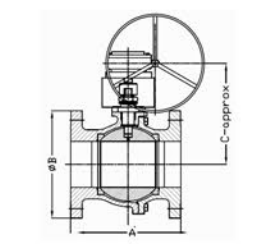
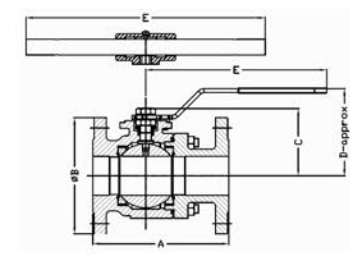
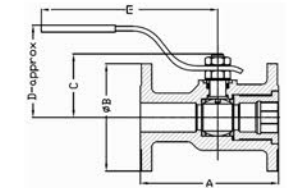
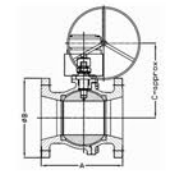
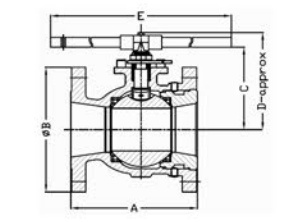
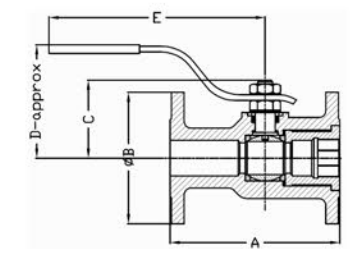
31/32 SERIES						
Valve Size MM (Inches)	A		B	C	Weight Kg. (lb)	
	150	300			150	300
200 MM (8")	292	419	343	381	550	105 (233)
250 MM (10")	533	XX	406	445	650	210 (466)

73/74 SERIES									
Valve Size MM (Inches)	A		B		C	D	E	Weight Kg. (lb)	
	150	300	150	300				150	300
15 MM (1/2")	108	140	89	95	40.5	94	151	1.8 (4.0)	2.3 (5.1)
20 MM (3/4")	117	152	98	117	55.6	103.5	170	2.2 (4.8)	3.3 (7.3)
25 MM (1")	127	165	108	124	60.3	108	170	3.2 (7.0)	4.6 (10.1)

73/74 SERIES									
Valve Size MM (Inches)	A		B		C	D	E	Weight Kg. (lb)	
	150	300	150	300				150	300
40 MM (1-1/2")	165	190	127	156	77.8	124	221	6.6 (14.5)	9.8 (21.5)
50 MM (2")	178	216	152	165	88	134.2	221	13.0 (28.6)	15.0 (33.0)
80 MM (3")	203	283	191	210	154.6	194.8	400	26.0 (57.0)	29.0 (64.0)
100 MM (4")	229	305	229	254	170.6	211	610	34.0 (75.0)	39.0 (86.0)
150 MM (6")	394	403	279	318	248.5	308	916	71.0 (156)	78.0 (172)

73/74 SERIES						
Valve Size MM (Inches)	A		B	C	Weight Kg. (lb)	
	150	300			150	300
200 MM (8")	292	419	343	381	550	210 (467)
250 MM (10")	568	X	406	445	650	350 (777)
300 MM (12")	267	X	483	521	750	380 (844)

90 SERIES						
DN	A	B	C	D	E	Weight Kg. (lb) 150
15	115	95	47	73	150	2.5 (5.53)
20	120	105	65	91	150	3.2 (7.07)
25	125	115	74	96	170	4.2 (9.28)
32	130	140	87	109	170	5.5 (12.16)
40	140	150	96	114	219	7.10 (15.69)
50	150	165	107	125	219	9.5 (21.00)
65	170	185	125	170	400	14.5 (32.04)
80	180	200	136	180	400	18 (39.78)
100	190	235	163	210	610	29 (64.09)
125	325	270	220	284	900	60 (132.60)
150	350	300	236	300	900	72 (159.12)
200	400	375	281	347	900	140 (309.40)



SIZE			SERVICE		SERIES		BODY & END		BALL & STEM		SEAT		SEAL		END CONNECTION		SPECIAL FEATURES	
CODE	MM	INCH	CODE	DESCRIPTION	CODE	DESCRIPTION	CODE	DESCRIPTION	CODE	DESCRIPTION	CODE	DESCRIPTION	CODE	DESCRIPTION	CODE	DESCRIPTION	CODE	DESCRIPTION
2	8	1/4"	A	Antistatic	27	High pressure	1	Carbon steel A105	1	CA15 / SS410	A	TFM	A	TFM	BSPT	BS 21	A0866	Ammonia service stem seal
3	10	3/8"	B	Full bore	31	Ansi 150 Single piece	2	Carbon steel WC6	2	Carbon steel WC6	C	PCTFE	B	Buna N Shore 90	BSP	BSPP(DIN 2999)	P043	Vacuum & searching gas stem seal
5	15	1/2"	C	Cryogenic	32	Ansi 300 Single piece	3	Duplex 4A / S32205	3	Duplex 2205/S31803	F	PFA	G	Graphite	DIN3852	DIN 3852	P250	Ball with pressure relief hole
7	20	3/4"	D	Diverter Bot.entry	35	1000 WOG Single piece	4	Carbon steel WCB	4	Carbon steel WCB	H	VX1		Impregnated	NPT	ASME B1.20.1	J2&J3	Jacketed valve with 2 / 3 ports
10	25	1"	F	Fire-safe	40	Cl.800 Utility	5	S Duplex steel 5A/S2507	5	S Duplex 2507/ S32750	J	25% Glass filled PTFE	I	Graphite	BW	Buttweld Sch.xxx	FE	Fugitive emission
12	32	1.1/4"	H	High pressure	42	Cl.800 Forged body	6	CF8M / SS 316	6	CF8M / SS 316	K	PEEK	N	Neoprene	XBW	Extended buttweld	VB xx	Control valve Ball (angle)
15	40	1.1/2"	I	High Purity	45	1000 WOG Three piece	7	Monel	7	Monel	L	PEEK - Virgin		15% Glass filled	SW	Socket weld	DBB	Double Block and Bleed
20	50	2"	K	Chlorine	46	Cl.800 Non-ISO	8	CF8 / SS 304	8	CF8 / SS 304	M	Metal	R	PTFE	XSW	Extended socket weld	NACE	Nace MR01-75
25	65	2.1/2"	L	Let lock	47	Cl.800 ISO pad	9	Carbon steel LCB	9	Carbon steel LCB	N	33% Carbon filled PTFE	T	PTFE	TC	Tri-clamp	K	Locking device
30	80	3"	M	Ammonia	48	High Purity	A	Alloy 20 / CN7M	A	Alloy 20 / CN7M	P	NRG - Polyfil	U	UHMWPE	ETO	Extended OD Tube	LDP	Locking plate
40	100	4"	N	Control	61	Multi port 3 way	C	Hastelloy C276	C	Hastelloy C276	R	15% Glass filled PTFE	V	Viton	ETD	Extended DIN Tube	EP	Electro polish
50	125	5"	O	Oxygen	62	Multi port 4 way	D	CF3 / SS 304L	D	CF3 / SS 304L	S	Vespel			ETI	Extended ISO Tube	DHN	Nitride coating
60	150	6"	Q	Cavity filler	73	Ansi 150 Two piece	E	CF3M / SS 316L	E	CF3M / SS 316L	T	PTFE			TCI	Sanitary clamp ISO	HC	High cycle
80	200	8"	R	Flush bottom tank	74	Ansi 300 Two piece	F	CF8C / SS321	F	CF8C / ss 321	U	UHMWPE			TCD	Sanitary clamp DIN	DS	Dual safe
A0	250	10"	S	Diverter side entry	75	1000 WOG Two piece	G	CG8M / SS317	G	CG8M / SS 317	Y	Delrin - Acetal resin			BWD	Buttweld DIN	SRS	Self relieving seat
A2	300	12"	U	Nuclear	90	DIN PN 16 Two piece	J	CG3M / SS317L	J	CG3M / SS317L	W	PVDF			BWI	Buttweld ISO	HYD	Hydrogen service
A4	350	14"	V	Vacuum	91	DIN PN40 Two piece	L	Carcon steel LF2	I	Inconel					BWO	Buttweld OD Tube	SRH	Spring return handle
A6	400	16"	W	Steam,Thermal Fluid			K	CK20 / SS 310	L	AL6XN					PN16	Flanged DIN PN 16	90°	Diverter valve 90° turn
							M	17-4 PH	K	CK20 / SS 310					PN 40	Flanged DIN PN 40	180°	Diverter valve 180° turn
							S	SMO 254	M	17-4 PH					150RF	Flanged ANSI Cl.150		
							T	Titanium Gr. 2	S	SMO 254					300RF	Flanged ANSI Cl.300		
							W	Hastelloy C 22	T	Titanium Gr. 2					600RF	Flanged ANSI Cl.600		
							X	Hastelloy C 22	W	Hastelloy C 22					900RTJ	Flanged ANSI Cl.900 Ring Type Joint		
									X						1500RTJ	Flanged ANSI Cl.1500 Ring Type Joint		
															2500RTJ	Flanged ANSI Cl.2500 Ring Type Joint		

Example : 20-AB474466TG/SW

Size : 50NB (2")-(20), Anti-static (A), Full Bore (B), Three piece 47 series (47), Carbon steel body and ends (44), SS 316 Ball & Stem (66), PTFE Seat (T), Graphite Seal (G), Socket Weld Ends (SW)

For specific requirements and availability of options, please consult Scorpio Marketing.



AN ISO 9001 : 2015 CERTIFIED CO.
(CIN: U85110GJ2004PTC044709)

SCORPIO VALVES & CONTROLS PVT LTD.

Manufacturers of Industrial & Automation Valves

CORPORATE OFFICE

📍 1-Sangath, Behind SBI C. G. Road Branch,
C. G. Road, Navrangpura,
Ahmedabad-380009, Gujarat (India).

☎ +91 79 2656 4146 📠 +91 81558 25555

REGISTERED OFFICE

📍 316, GIDC Estate, Dholka-382225, Ahmedabad (India).

WORKS

📍 203, GIDC Estate, Dholka-382225, Ahmedabad (India).

📧 sales@scorpiovalves.com 🌐 www.scorpiovalves.com



Available at...