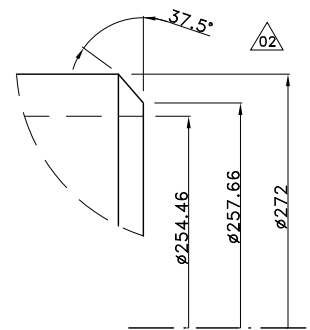
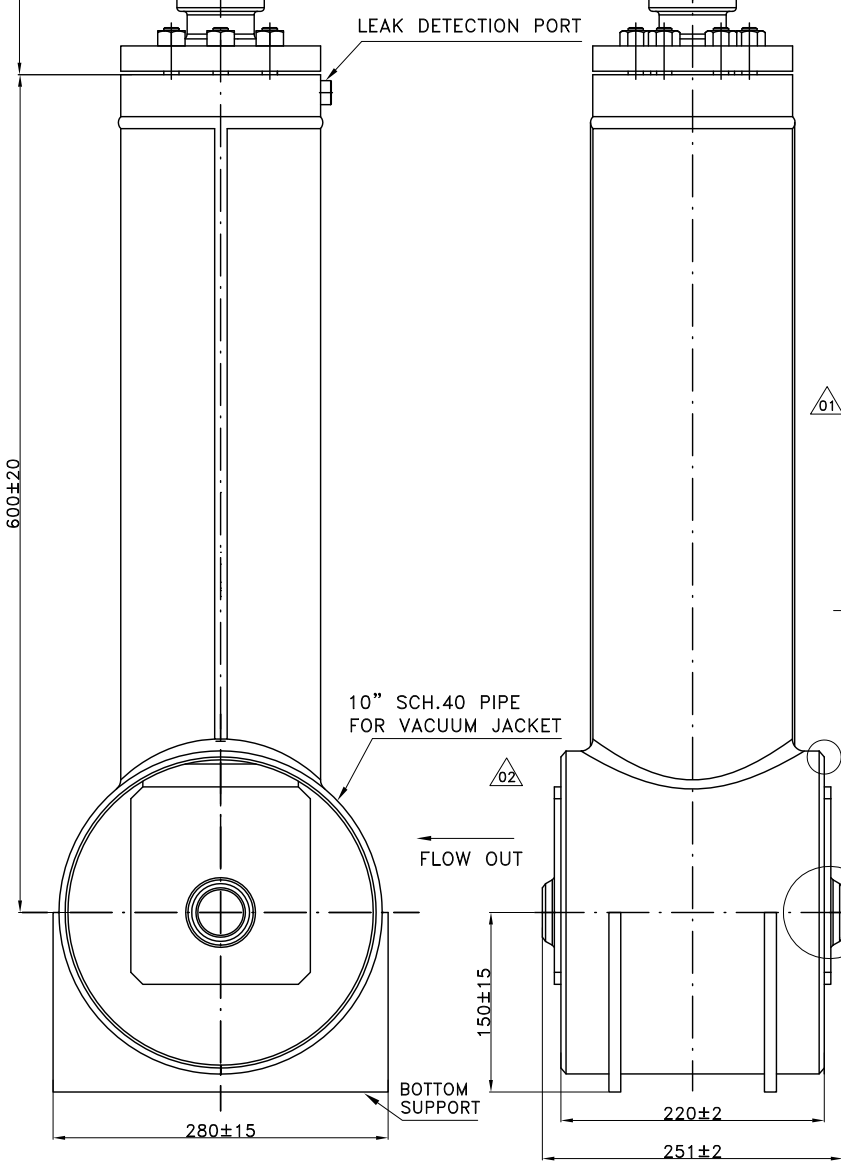
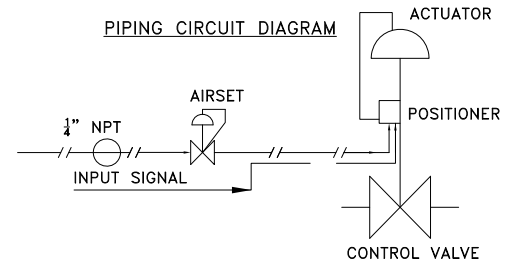


(BWE CONNECTION DETAILS SUITABLE FOR 1 1/2" SCH.40)
DETAILED VIEW 'A'

MODEL NO. SERIES 15000
DIMENSIONS IN mm
ACTUATOR : M-350
RATING : 300#,BWE
BODY SIZE : 1 1/2"
QUANTITY : 2 No.
ITEM NO. : D1920006V1P1-P2
VALVE DETAILS

01 BODY : ASTM A 182 F304L
TRIM : ASTM A 276 SS304L



(BWE CONNECTION DETAILS SUITABLE FOR 10" SCH.40 FOR VACUUM JACKET)
DETAILED VIEW 'B'