

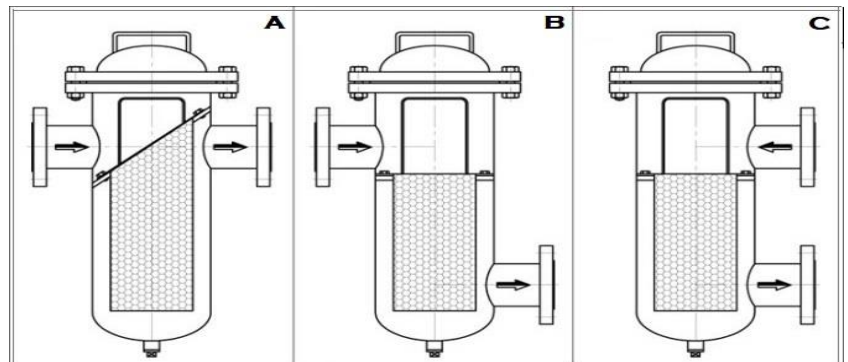
RAKDIN ENGINEERS

Manufacturers & Exporters of Strainers & Filters

TECHNICAL SPECIFICATION

1. BASKET STRAINER

RAKDIN BASKET STRAINER (150# - 1500#)		
	FABRICATED	CAST
MOC Body:	Carbon Steel: ASTM A-106, A-516, A-537 Stainless Steel: 304, 304L, 316, 316L	Cast Steel: ASTM A216 WCB Stainless Steel: 304, 304L, 316, 316L, Duplex, Monel
MOC Screen/Mesh:	Stainless Steel: 304, 304L, 316, 316L	Stainless Steel: 304, 304L, 316, 316L
Available Sizes:	2" to 30"	2" to 10"
Pressure Rating :	150#, 300#, 600#, 900#, 1500#	150#
Operating Pressure:	Upto 25 mPa (255 Kg./cm ²)	Upto 2 mPa (20 Kg./cm ²)
Degree of Filtration:	4 Mesh - 800 Mesh	4 Mesh - 800 Mesh
Operating Temp. :	Upto 150 deg.C	Upto 150 deg.C
End Connections:	Flanged end/ Butt Weld end	Flanged end
Suitable for :	Petroleum, Water, Air, Gas, Steam, Chemicals and Other Fluids	

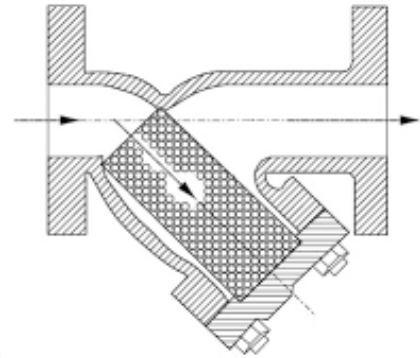


BASKET TYPE STRAINER OPTIONS



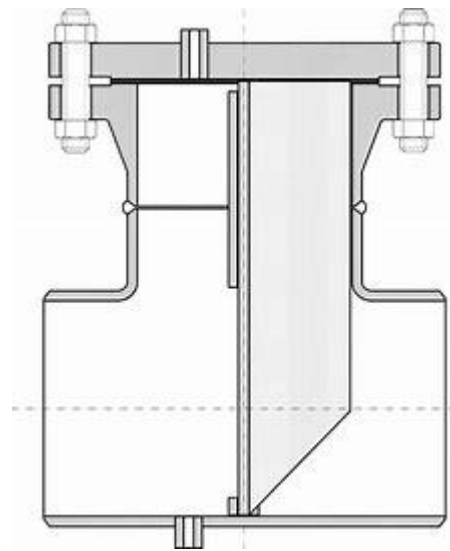
2. Y-TYPE STRAINER

RAKDIN Y-TYPE STRAINER (150# - 1500#)		
	FABRICATED	CAST
MOC Body:	Carbon Steel: ASTM A-106, IS:1239 Stainless Steel: 304, 304L, 316, 316L	Cast Steel: ASTM A216 WCB Stainless Steel: 304, 304L, 316, 316L, Duplex, Monel
MOC Screen/ Mesh:	Stainless Steel: 304, 304L, 316, 316L	Stainless Steel: 304, 304L, 316, 316L
Available Sizes:	2" to 30"	2" to 24"
Pressure Rating :	150#, 300#, 600#, 900#, 1500#	150#, 300#, 600#, 900#, 1500#
Operating Pressure:	Upto 25 mPa (255 Kg./cm ²)	Upto 25 mPa (255 Kg./cm ²)
Degree of Filtration:	4 Mesh - 800 Mesh	4 Mesh - 500 Mesh
Operating Temp. :	Upto 150 deg.C	Upto 150 deg.C
End Connections:	Flanged end	Flanged end/ Butt Weld end
Suitable for :	Petroleum, Water, Air, Gas, Steam, Chemicals and Other Fluids	



3. T-TYPE STRAINER

RAKDIN T-TYPE STRAINER (150# - 1500#)	
FORGED	
MOC Body:	Carbon Steel : ASTM A-234 Gr.WPB Stainless Steel : A-403 Gr.WP-304, WP-304L, WP-316, WP-316L
MOC Screen/ Mesh:	Stainless Steel : 304, 304L, 316, 316L
Available Sizes:	2" to 24"
Pressure Rating :	150#, 300#, 600#, 900#, 1500#
Operating Pressure:	Upto 25 mPa (255 Kg./cm ²)
Degree of Filtration:	4 Mesh - 500 Mesh
Operating Temp. :	Upto 150 deg.C
End Connections:	Flanged end / Butt weld end
Suitable for :	Petroleum, Water, Air, Gas, Steam, Chemicals and Other Fluids



4. STRAINER ELEMENT

RAKDIN STRAINER ELEMENT (150# - 1500#)		
	CONICAL ELEMENT	BASKET ELEMENT
MOC Body/Screen/ Mesh:	Stainless Steel: 304, 304L, 316, 316L	Stainless Steel: 304, 304L, 316, 316L
Available Sizes:	2" to 36"	2" to 36"
Pressure Rating :	150#, 300#, 600#, 900#, 1500#	150#, 300#, 600#, 900#, 1500#
Operating Pressure:	Upto 25 mPa (255 Kg./cm ²)	Upto 25 mPa (255 Kg./cm ²)
Degree of Filtration:	4 Mesh - 800 Mesh	4 Mesh - 800 Mesh
Operating Temp. :	Upto 150 deg.C	Upto 150 deg.C
End Connections:	Flanged Collar	Flanged Collar
Suitable for :	Petroleum, Water, Air, Gas, Steam, Chemicals and Other Fluids	



Office: B-5, Acharya Niketan, Mayur Vihar-1, Delhi-110091 (INDIA)
 Phone No. 9910235890, 9899014868
 E-mail ID: sales@rakdinengineers.com
 Site: www.rakdinengineers.com