

# 2/2 Way Pilot Operated Diaphragm Solenoid Valve



"aira" Offers HIGH FLOW Diaphragm type solenoid valves, are specially engineered in the construction of Investment Cast CF8 / CF8M / CF3M body for multiple and long lasting operations. valves for the inflammable media / environment / Flameproof / Explosion Proof solenoid coil are available in such application.

## Size Range : 1/2" to 6" Screwed / Flanged / Triclover End

### Types :

1. Normally Closed - Energised to Open
2. Normally Open - Energised to Close

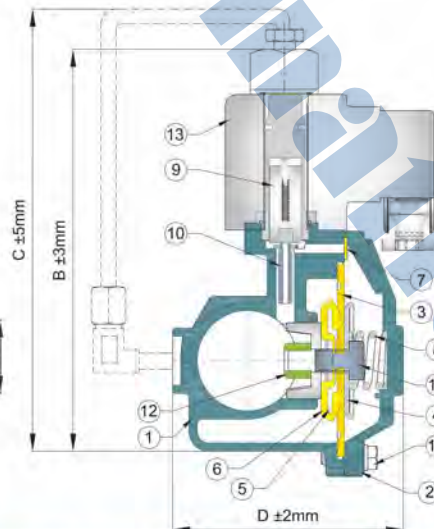
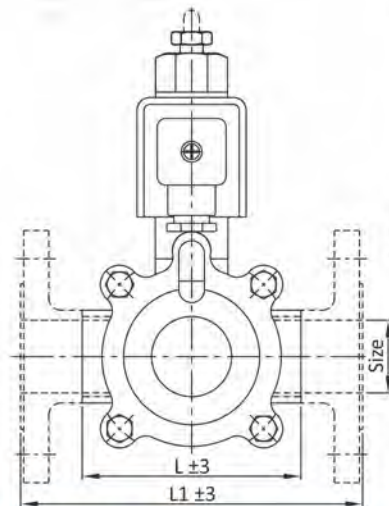
### Application :

Air, Water, Light Oil, Gas, Light Chemical

### Valves Specification

Pressure	0.5 to 10 Bar
Temperature	-5 °C to 85 °C (Upto 120 °C On Request)
Coil Voltage	12V, 24V, 48V, 110V, 230V AC/DC
Coil Insulation	"F" Class / "H" Class in Flameproof
Coil Encloser	IP 67 (Flame Proof / Explosion Proof as per IS / Meets IEC 60079 - 1 STD for Gas Group II C Zone 1 & 2)
Coil Rating	Continuous Rated
Ends	Screwed / Flanged 150# / TC End

Model : ISD



Sr. No.	Description	Material
1	Body	CF8 / CF8M / CF3M
2	Cover	CF8 / CF8M / CF3M
3	Diaphragm	NBR
4	Embossed Washer	S. S. 304
5	Seat Washer	M. S.
6	Diaphragm Seat	NBR
7	'O' Ring For Cover	NBR
8	Spring	S. S. 304
9	Housing Plunger Set	Std.
10	Pilot Seat	Brass
11	Hex Pin For Diaphragm	S. S.
12	Hex Nut For Diaphragm	S. S.
13	Sole. Coil Casting	Std.
14	Hex Bolt + Washer	S. S.

## Solenoid Coil



(For General)  
2200 Model with Adaptor



(For General)  
2210 Model With Wire Type



Explosion & Flame Proof Coil  
[As per IS / IEC 60079-1 standard approved by Central Institute of Mining and Fuel Research (CIMFR)]

### Dimensions :

Valve Model	Valve Size MM	Valve Size Inch	Flow Factor Kvm <sup>3</sup> /hr	L S / E	L1 F / E	B	C	D	Orifice MM	Weight Approx. S / E	Weight Approx. F / E
ISD - 06	06	1/4"	2.5	66	130	128.5	170	55.5	17	0.800	1.200
ISD - 10	10	3/8"	2.5	66	130	128.5	170	55.5	17	0.800	1.200
ISD - 15	15	1/2"	3.5	66	130	128.5	170	55.5	17	0.800	1.200
ISD - 20	20	3/4"	5.0	80	150	136	175.5	65	20	1.100	1.600
ISD - 25	25	1"	11.0	95	160	153	195	81	25.5	1.400	2.150
ISD - 32	32	1.1/4"	13.0	119	180	163.50	207	98	38	2.000	3.300
ISD - 40	40	1.1/2"	20.0	119	200	163.50	207	98	38	2.000	3.300
ISD - 50	50	2"	38.0	137	230	184.5	229	116	47.4	2.900	5.000
ISD - 65	65	2.1/2"	67.6	172	290	201	---	142.5	65	4.200	7.500
ISD - 80	80	3"	97.6	195	310	237.5	---	158	72	5.900	10.050
ISD - 100	100	4"	---	300	350	284.5	---	206	100	13.950	18.850
ISD - 150	150	6"	---	---	---	---	---	---	---	---	---

Note : Flange Dimensions as per 150#.

(All Dimensions are in mm)

Pub. On : May, 2019

