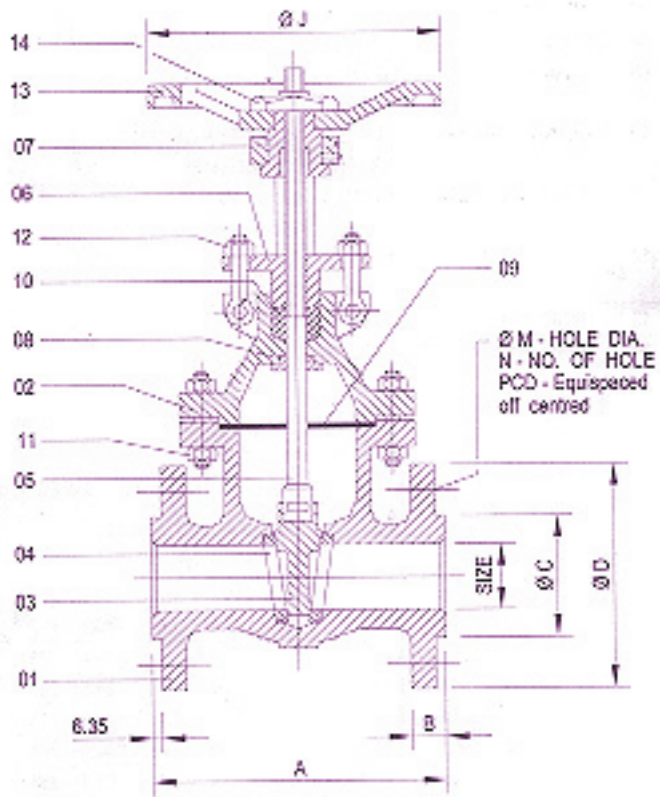


UNIMAC GATE VALVES

ASA Class 400/600



Primary service rating & test pressure

Class	Working press.	HYD. Test pressure		
		Body	Seat	Temp.
400	400 PSIG	1450 PSIG	1060 PSIG	800 ° F
600	600 PSIG	2175 PSIG	1600 PSIG	800 ° F

Air Test - Seat 80 PSIG ± 10 PSIG

Technical Data

Manufacturing STD	:	API 600 / BS 1414
Testing & Inspection STD	:	API 598
Face to Face	:	as per ANSI B 16.10
Shell wall thickness	:	ANSI B 16.34
End connections	:	Flanged as per ANSI B 16.5

No.	Description	Material	Qty.
01	Body	ASTM A 216 Gr. wcb	1
02	Bonnet	ASTM A 216 Gr. wcb	1
03	Wedge	AISI 410 (13% CR.)	1
04	Seat ring	AISI 410 (13% CR.)	1
05	Stem	AISI 410 (13% CR.)	1
06	Gland	Carbon Steel	1
07	Yoke Sleeve	NI - Resist	1
08	Bonnet Bush	AISI 410	1
09	Gasket	Spiral wound metallic Gasket	1
10	Gland packing	Matalic Wire Reinforced Graphited Asbestos/GRAFOIL	--
11	Bonnet Stud & Nut	ASTM A 193 Gr. B7 / ASTM A 194 Gr. 2H	--
12	Eye Bolt & Nut	ASTM A 193 Gr. B7 / ASTM A 194 Gr. 2H	2 Set
13	Hand Wheel	Cast Iron	1
14	Hand Wheel Nut	Carbon Steel	1

Suitable for : - Steam, Water and Oil

Class - 400

Size	A	B	øC	øD	øM	N	PCD	ø J
40	242	22	73	156	22	4	114	250
50	291	25	92	165	19	8	127	305
65	331	29	105	191	22	8	149	305
80	357	32	127	210	22	8	168	405
100	407	35	157	254	25	8	200	405
125	456	38	186	279	25	8	235	490
150	496	41	216	318	25	12	270	490
200	598	48	270	381	29	12	330	610
250	674	54	324	445	32	16	387	675
300	763	57	381	521	35	16	451	825

Class - 600

Size	A	B	øC	øD	øM	N	PCD	ø J
40	242	22	73	156	22	4	114	250
50	292	25	92	165	19	8	127	250
65	331	29	105	191	22	8	149	405
80	357	32	127	210	22	8	168	405
100	433	38	157	273	25	8	216	490
125	509	45	186	330	29	8	267	490
150	560	48	216	356	29	12	292	610
200	659	56	270	419	32	12	349	675
250	788	64	324	508	35	16	432	825
300	839	67	381	559	35	16	489	825
350	890	70	413	603	38	20	527	825
400	990	76	470	686	41	20	603	1000

all dimesion are in mm

Note : Due to constant up gradation, dimensions are subject to change by the manufacturer.