

UNIMAC BUTTERFLY VALVES



Wafer type butterfly valve with an integrally bonded elastomer liner. Requiring absolutely no form of maintenance the **UNIMAC** is a perfect "Fit and forget" valve. Available with either a flangeless or lugged body, in a size range of 50-600 mm, a pressure rating of up to PN 16 and offered with latching lever or actuation as well as different combination of disc and seat materials, "UNIMAC" is a truly versatile valve.

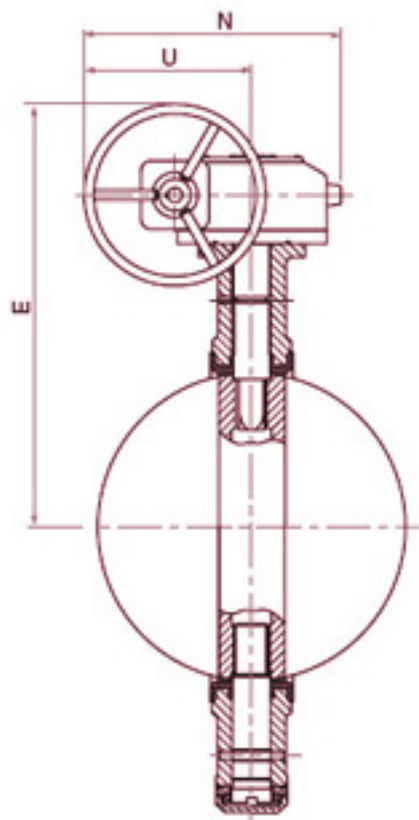
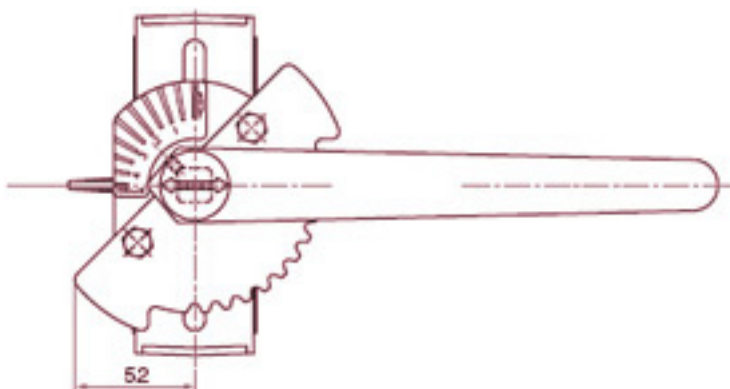
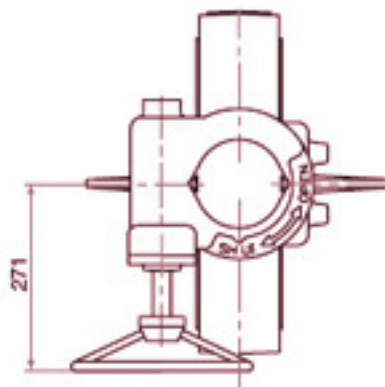
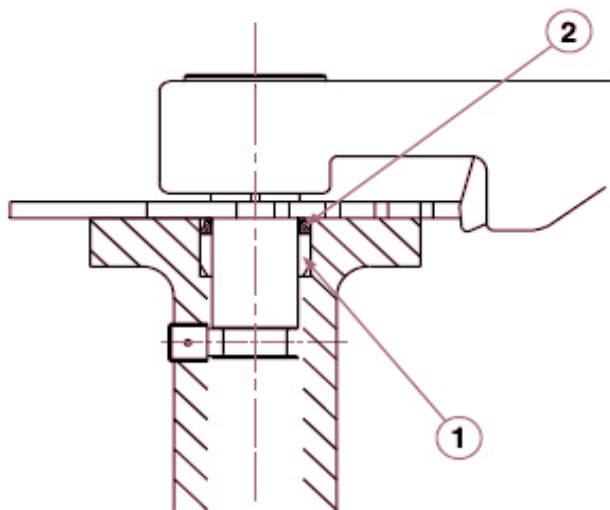
Features	Benefits
Integrally bonded body seat	Easy And Trouble free mounting in the pipeline. No maintenance. No tearing and distortion of liner. Exceptionally long seat life. Uniform sealing. Suitable for vacuum and high flow applications.
Stainless steel fully machined shaft (Optional) PTFE coated	Permanent dry lubrication. Ease of operation. Prevents corrosion on shaft.
Primary and secondary seals integral with body lining	Ensures compatibility with media
Different disc and seat combination available	Suitable for a wide range of applications.
Weatherseal feature	Atmospheric sealing to valve internals.
Spherical machined and polished disc (optional)	Ensures longer seat life, easier operation and tight shut-off.

Applications

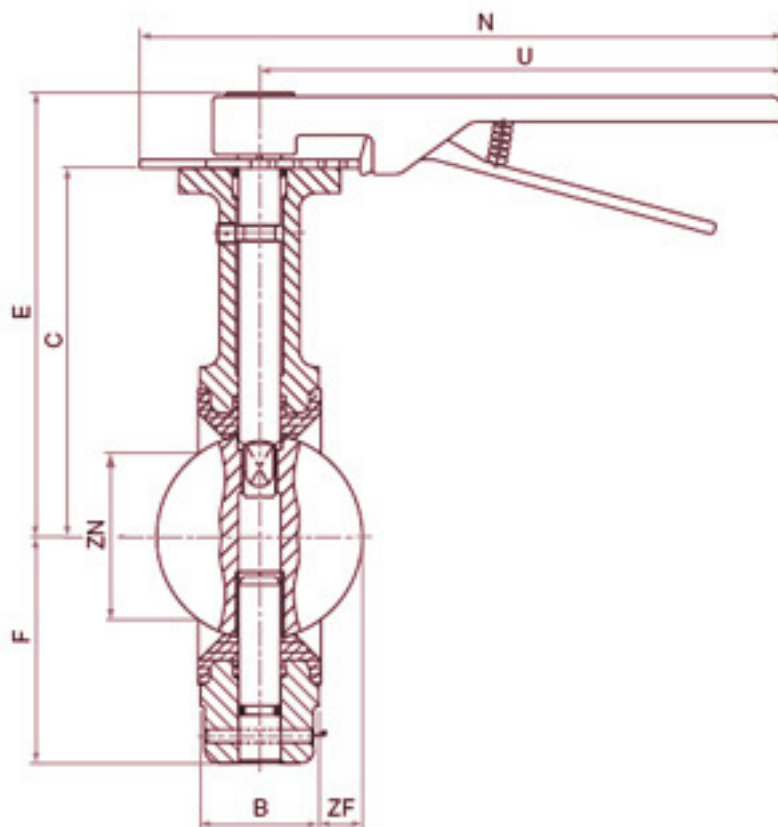
General Applications	Continuous Working Temperature Range	Maximum Working Pressure	Disc Material	Seat Material
Oils, fuels, water, air, gases, powders, pellets, slurries etc	Hydrocarbons (Except aromatics) - 10C to 90C Other Liquids - 10C to 80C Dry Services - 10C to 60C	16 bar	Epoxy coated SG iron	Black Nitrile
Brines, sea water, estuary water, marine bilge and ballast systems	Liquids - 10C to 80C	16 bar	Aluminium Bronze	
Steam, water, hot gases, powders, slurries and aqueous slurries of an abrasive nature	Liquids - 10C to 120C Dry services - 10C to 100C	16 bar	Stainless steel Periphery Polished	General Purpose EPDM

Additional Feature

1. O ring is provided to reduce the actuator torque and atmospheric sealing of the valve interior.
2. It is provide for up to 600 mm dia.
3. Long extended Neck for insulation purpose on request.
4. Detachable hand lever to stop misuse of valve
5. Special material combination as per buyers' request.



Valve with gear unit



Valve with lever

