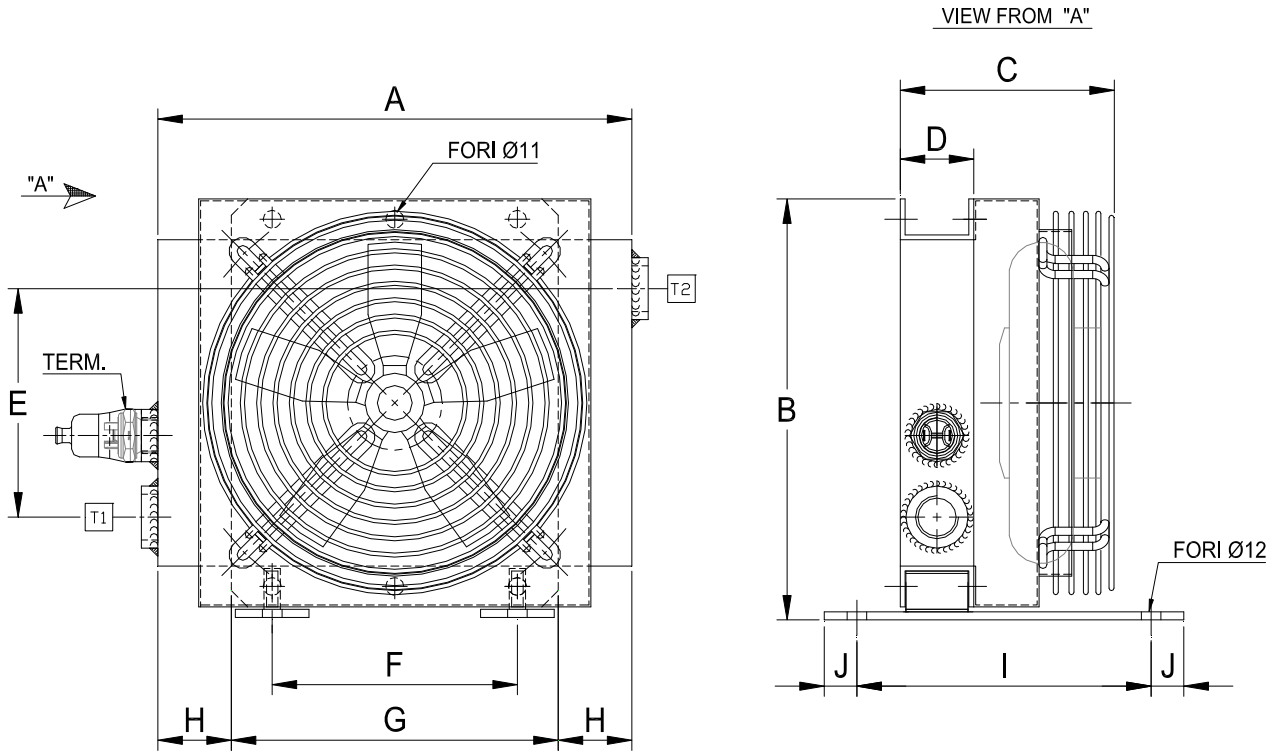




SCAMBIATORI AD ARIA IN ALLUMINIO

Air Coolers aluminium block



Model	A	B	C	D	E	F	G	H	I	J	T1-T2 \varnothing GasF
RSR.2404	290	259	135	45	140	140	200	45	180	20	3/4"
RSR.2406	290	258	155	65	140	140	100	45	180	20	1"
RSR.3406	390	360	160	65	235	250	300	45	180	20	1"
RSR.4706	490	455	240	65	320	350	400	45	180	20	1¼"
RSR.4709	610	570	330	95	390	440	500	55	350	25	1½"