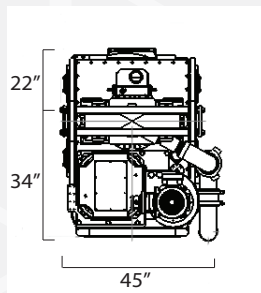
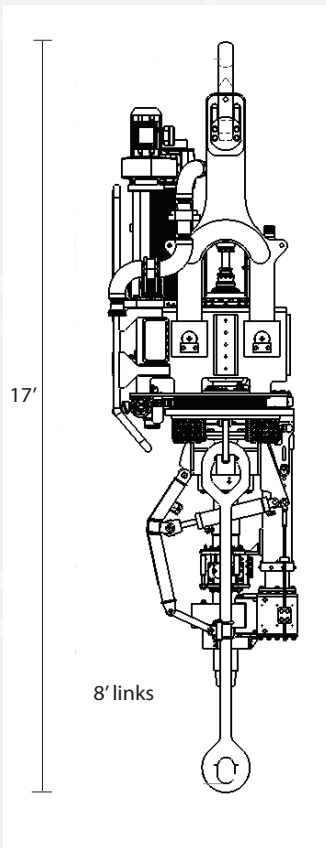


GDM275/375

This is the top drive the other OEMs hoped would never see the light of day!

- ▶ Perfect balance between compact design and powerful torque
- ▶ Dominating the small top drive class
- ▶ Simple to maintain and efficient to operate



MODEL	GDM275	GDM375
LOAD RATING	275 TON	375 TON
BREAKOUT TORQUE	42,500	60,000
CONTINUOUS TORQUE	30,000	42,000
MAX SPEED (RPM)	200	200
MOTOR HORSEPOWER	450 HP	800 HP
HOOK WEIGHT	20,000 LBS	25,000 LBS
MUD PATH	5000 PSI (OPTIONAL 7500) STANDARD 3" (OPTIONAL 4")	

