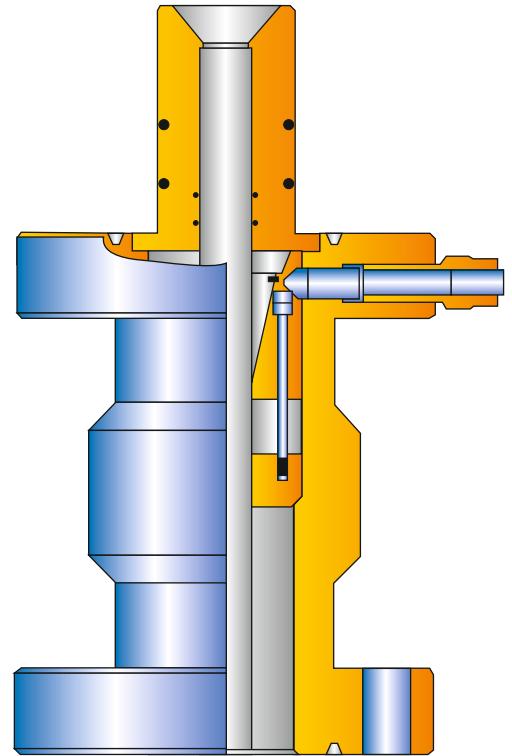


## COILED TUBING HANGER

### Features

- Designed to support heavy duty coiled tubing down hole tool strings.
- Rugged hanger body for safe working during high well pressures.
- Suitable for tubing sizes up to 3 1/2" O.D.
- Flanged side outlet provided at user's requirement.
- Available in all API 6B & 6BX flanged connections and working pressure.
- Provided with a wireline entry sub to guide wireline tools into the bore of the tubing. This sub provides secondary annulus seal and prohibits upward movement of the tubing.



**Coiled Tubing Hanger**

<b>COILED TUBING HANGER</b>				
<b>Size</b>	<b>1"</b>	<b>1. 1/4"</b>	<b>1. 1/2"</b>	<b>1. 3/4"</b>
2. 1/16" 5 M	206A-21654065	206B-21654065	206C-21654065	206D-21654065
2. 9/16" 5 M	206A-21614065	206B-21614065	206C-21614065	206D-21614065
2. 9/16" 10 M	206A-29614065	206B-29614065	206C-29614065	206D-29614065
3. 1/16" 10 M	206A-31614065	206B-31614065	206C-31614065	206D-31614065
4. 1/16" 5 M	206A-40654065	206B-40654065	206C-40654065	206D-40654065
4. 1/16" 10 M	206A-40614065	206B-40614065	206C-40614065	206D-40614065