

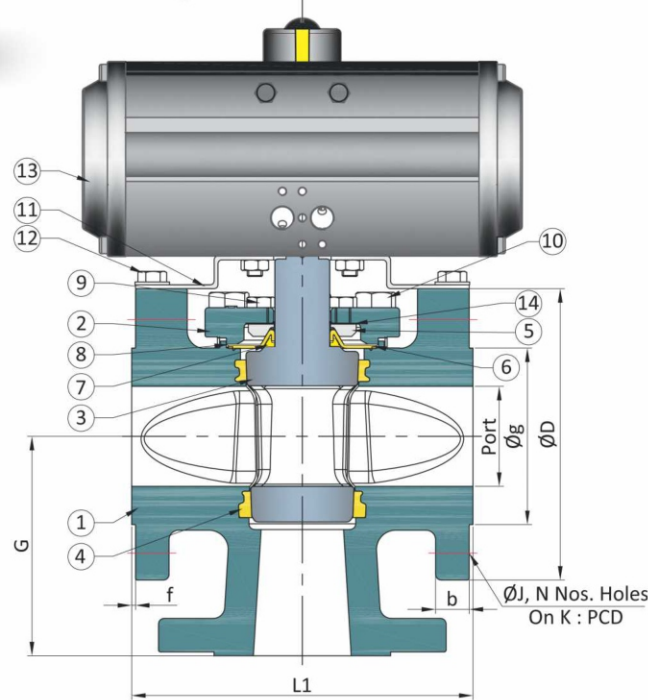
## “GLO” Series 3 Way Plug Valve Flanged 150#



**aira** Plug valves are designed to offer superior performance in various industrial applications. Design inherent reduction in pressure drop leads to higher efficiency and better flow rates. Long service life, unmatched sealing capacity and ease of maintenance thanks to ingenious design make the **aira** plug valves a preferred choice in severe service conditions.

### Size Range : 1/2" to 6" (15 MM to 150 MM) 150# Standard

Design And Manufacturer : API 599 / BS 5353  
 Valve Face To Face Dimension : ASME B 16.10  
 Flange Standard Conformity : ASME B 16.5 Class 150#  
 Inspection & Testing : API 598 / EN 12266 - 1  
 Leakage Class : CLASS VI ISO - 5208



Sr. No.	Description	Material
01	Body	WCB CF8 / CF8M / CF3M / CD4MCU
02	Cover	WCB CF8 / CF8M / CF3M / CD4MCU
03	Plug	CF8 / CF8M / CF3M / CD4MCU
04	Plug Sleeve	PTFE / CFT / GFT
05	Thrust Collar	S.S. 304
06	PTFE Diaphragm	PTFE / CFT / GFT
07	PTFE Wedge Ring	PTFE / CFT / GFT
08	Metal Diaphragm	S.S. 304
09	Adjusting Hex Bolt	S.S. 304
10	Body Fitting Hex Bolt	S.S. 304
11	Act. Fitting Plate	S.S. 304
12	Act. Plate Fitting Hex Bolt	S.S. 304
13	Actuator	STD.
14	Static Eliminator	S.S. 304

Note : Special Metal & Higher Alloys available on request.

### 150# Dimensions :

Valve Model	Valve Size		L1 150#	G	Weight Approx.
	MM	Inch			
3GLO - 15	15	1/2"	108	70	2.500
3GLO - 20	20	3/4"	117	73	3.100
3GLO - 25	25	1"	127	89	4.900
3GLO - 32	32	1.1/4"	140	95	5.700
3GLO - 40	40	1.1/2"	165	105	7.700
3GLO - 50	50	2"	178	114.5	12.300
3GLO - 65	65	2.1/2"	190	130.25	17.800
3GLO - 80	80	3"	203	130.25	20.300
3GLO - 100	100	4"	229	152.5	30.800
3GLO - 150	150	6"	267	190.5	56.000

(All Dimensions mm & Weight are for bare shaft only)

Note : Please refer page no. : 14 for Flange Dimensions.

