

38-100 Series

ATMOSPHERIC TYPE VACUUM BREAKER

LEAD FREE AVAILABLE



Job Name:	
Job Location:	
Engineer:	
Contractor:	
Tag:	
PO#:	
Rep:	
Wholesale Dist.:	

DESCRIPTION

The Apollo Series Atmospheric Type Vacuum Breakers are designed to prevent back-siphonage of polluted water into a potable water system. They should only be installed in areas where spillage of water could not cause damage and where it can be accessible for periodic maintenance. These devices are not designed for continuous pressure application (maximum 12 hours in any 24 hour period). Should be installed a minimum of 6" above all downstream piping with no downstream shutoffs

FEATURES

- Corrosion Resistant
- Bronze Body
- Lead Free Option (100 Series)
- Heat Resistant Silicone Seat Disc
- Rough Brass, Rough Chrome or Polished Chrome Finish
- Easy to Maintain
- Compact and Lightweight
- Durable

PERFORMANCE RATING

- Suitable for Hot or Cold Water Service:
(up to 212°F at 125 psig) for up to 1"
(up to 180°F at 125 psig) for 1-1/4" thru 2"

APPROVALS

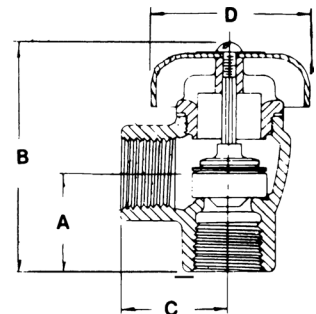
- ASSE 1001-2008
- NSF/ANSI 372 Lead Free (38LF only)

STANDARD MATERIALS LIST

VALVE BODY (AVB1)	Cast Bronze (LF C89836)
SEAT DISC	Silicone
FLOAT & GASKET	Polypropylene
CANOPY	Powder Coated Steel
SCREW	Zinc-plated Steel

DIMENSIONS

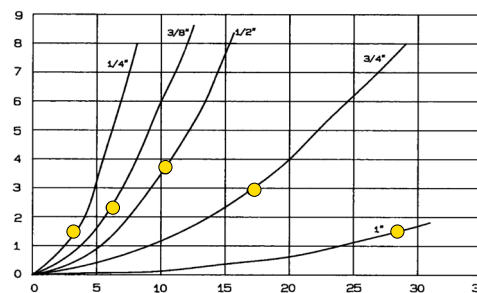
PART NO.	MODEL NO.	SIZE (IN.) (MM)	DIMENSIONS (IN.) (MM)				WEIGHT (LB.) (KG)
			A	B	C	D	
38(LF)-101	AVB114	1/4 (6)	29/32 (23)	2-3/8 (60)	1-1/32 (26)	1-13/16 (46)	50.96 (23)
38(LF)-102	AVB138	3/8 (10)	29/32 (23)	2-3/8 (60)	1-1/32 (26)	1-13/16 (46)	47.7 (22)
38-103	AVB112	1/2 (15)	1-3/32 (28)	2-1/2 (65)	1-3/16(30)	1-3/16 (46)	54.7 (25)
38-104	AVB134	3/4 (20)	1-5/16 (33)	3-1/16 (78)	1-15/32 (37)	2-1/8 (54)	79.7 (36)
38-105	AVB11	1 (25)	1-3/4 (45)	4-1/16 (103)	1-7/8 (48)	2-7/8 (73)	174 (79)
38-106	AVB1114	1-1/4 (32)	2 (50)	4-3/8 (111)	2 (50)	3-3/4 (95)	316 (143)
38-107	AVB1112	1-1/2 (40)	2 (50)	4-3/8 (111)	2 (50)	3-3/4 (95)	289 (131)
38-108	AVB12	2 (50)	2-1/8 (54)	4-1/2 (114)	2-1/4 (57)	3-3/4 (95)	369 (167)



PART NUMBER MATRIX

38(LF) X	OX	OX
	SIZE	FINISH
1 - BRONZE	1 - 1/4"	1 - ROUGH BRASS
	2 - 3/8"	3 - ROUGH CHROME (1/4" - 1" ONLY)
	3 - 1/2"	
	4 - 3/4"	
	5 - 1"	
	6 - 1-1/4"	
	7 - 1-1/2"	
	8 - 2"	

FLOW CURVE



*LEAD FREE: The wetted surfaces of this product shall contain no more than 0.25% lead by weighted average. Complies with Federal Public Law 111-380. ANSI 3rd party approved and listed.